




Copyright 2021, AisinoChip Co.,Ltd. All Rights Reserved.

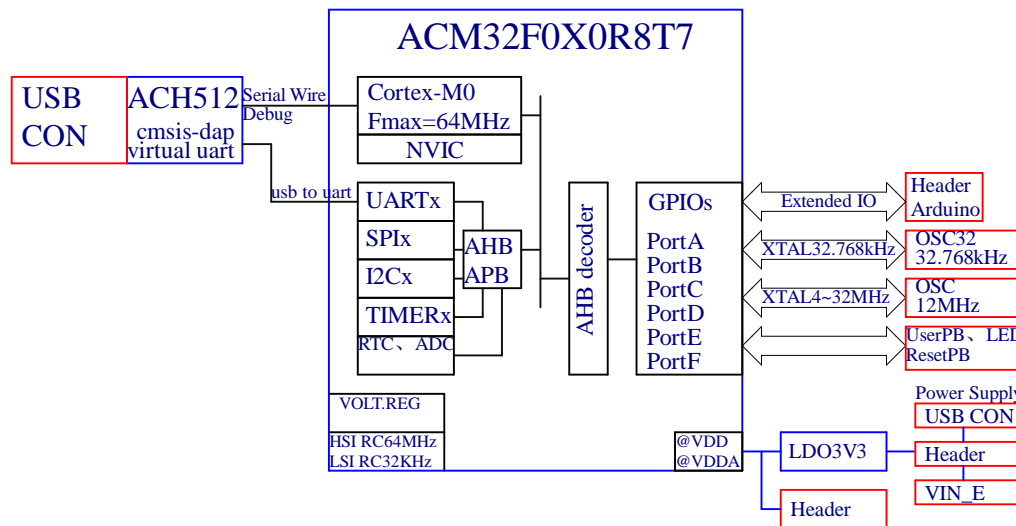
This material may not be reproduced, distributed, republished, displayed, posted, transmitted or copied in any form or by any means without the prior written permission of AisinoChip Co.,Ltd. AisinoChip and the AC logo are registered trademarks of AisinoChip Co.,Ltd. All trademarks and trade names are the properties of their respective owners and AisinoChip Co.,Ltd. disclaims any proprietary interest or right in trademarks, service marks and trade names other than its own.

AisinoChip is not responsible for typographical or other errors or omissions or for direct, indirect, incidental or consequential damages related to this material or resulting from its use. AisinoChip makes no warranty or representation respecting this material, which is provided on an "AS IS" basis. AISINOCHIP HEREBY DISCLAIMS ALL WARRANTIES OR LIABILITY OF ANY KIND WITH RESPECT THERETO, INCLUDING,WITHOUT LIMITATION, REPRESENTATIONS REGARDING ACCURACY AND COMPLETENESS, ALL IMPLIED WARRANTIES AND CONDITIONS OF MERCHANTABILITY, SUITABILITY OR FITNESS FOR A PARTICULAR PURPOSE, TITLE AND/OR NON-INFRINGEMENT.This material is not designed, intended or authorized for use in medical, life support, life sustaining or nuclear applications or applications in which the failure of the product could result in personal injury, death or property damage. Any party using or selling products for use in any such applications do so at their sole risk and agree that AisinoChip is not liable,in whole or in part, for any claim or damage arising from such use, and agree to fully indemnify, defend and hold harmless AisinoChip from and against any and all claims, damages, loss, cost, expense or liability arising out of or in connection with the use or performance of products in such applications.

Powered By:
System Application dept.

	Title: FOX0-CORE
	Name: Cover Page
Drawn by:***	Revision: 0.1
Checked by:***	Date: 2021/11/1
Approved by:***	Size: A4
	Sheet: 1/6

ACM32F0X0R8T7_CORE FUNCTIONAL DIAGRAM



	Signal Direction
	IC or Moudle
	Connector or Switch
	Power rail
	Bus
	Digital Signal
	Analog Signal

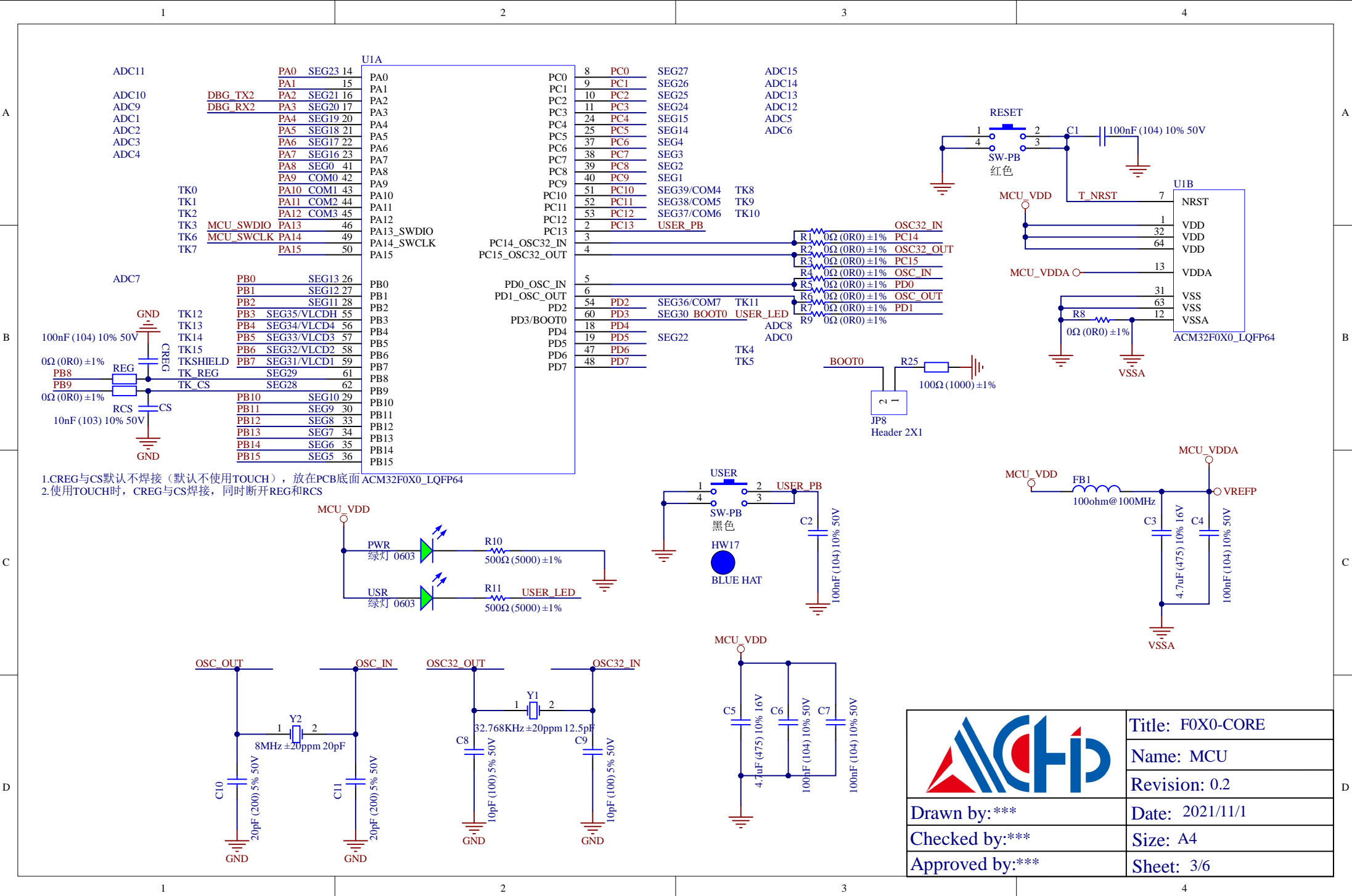
TABLE OF CONTENTS

PAGE	PAGE NAME
1.	Cover Page
2.	Contents/Function Diagram
3.	MCU
4.	DAPLink
5.	Arduino_Connectors
6.	PWR


Revision History

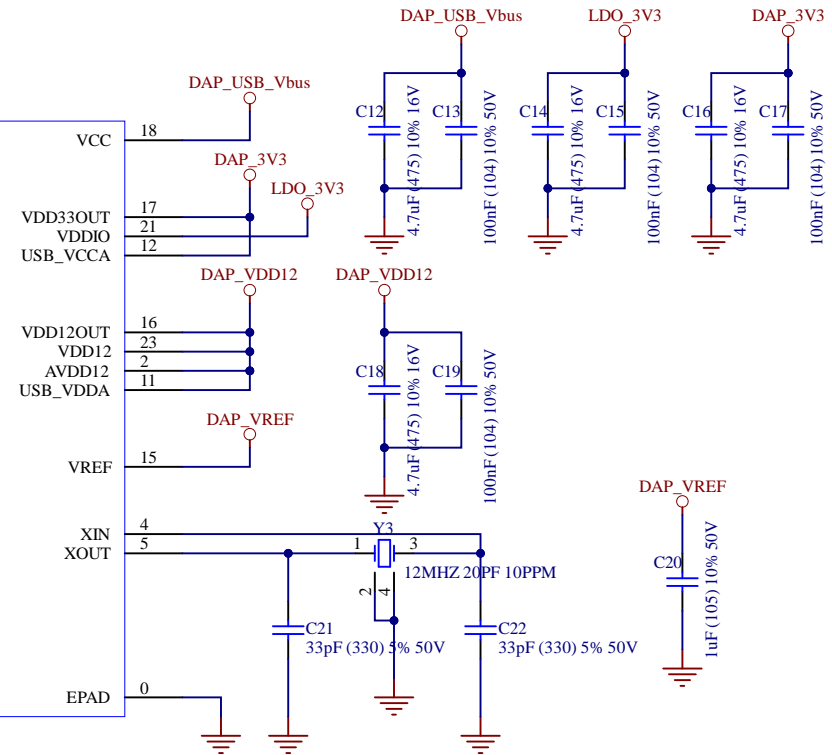
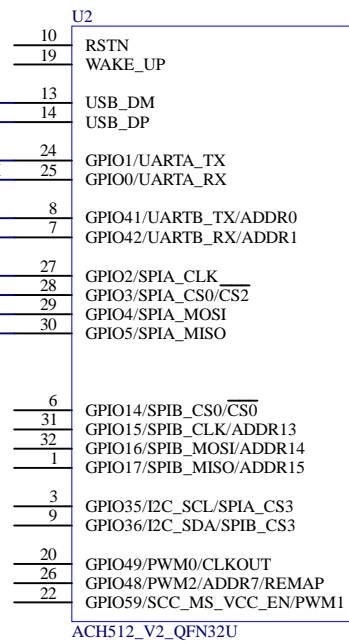
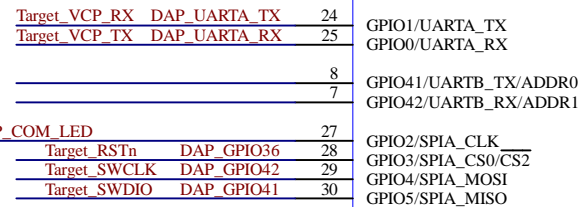
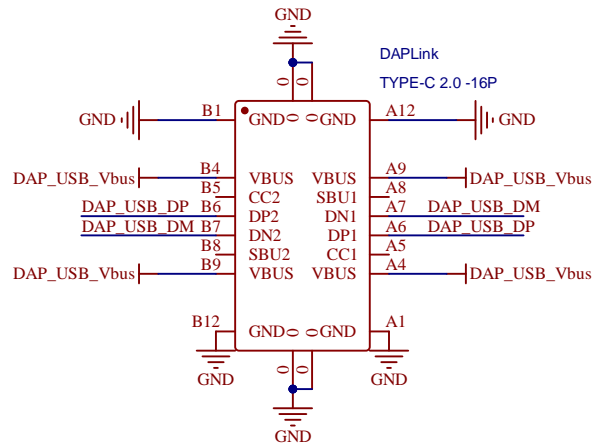
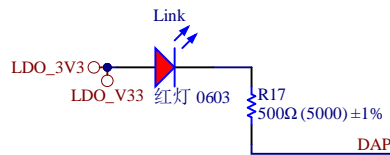
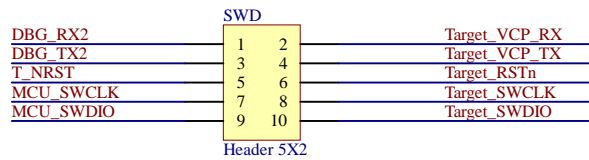
Revision Number	Description	Revision Date
0.1	• Add Arduino Connector	Nov 1,2021

	Title: FOX0-CORE
	Name: Funtional Diagram
Revision: 0.1	
Drawn by:***	Date: 2021/11/1
Checked by:***	Size: A4
Approved by:***	Sheet: 2/6

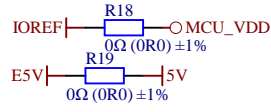


1.CREG与CS默认不焊接（默认不使用TOUCH），放在PCB底面 ACM32F0X0_LQFP64
 2.使用TOUCH时，CREG与CS焊接，同时断开REG和RCS

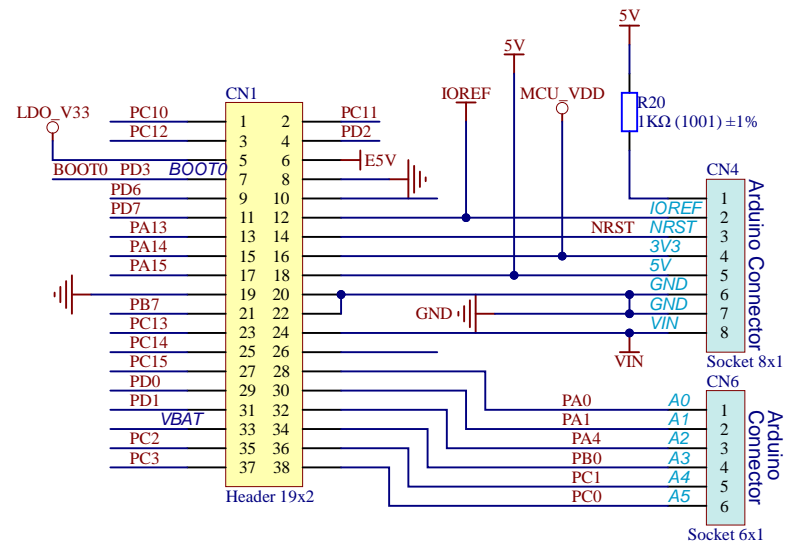
	Title: FOX0-CORE
	Name: MCU
	Revision: 0.2
Drawn by: ***	Date: 2021/11/1
Checked by:***	Size: A4
Approved by:***	Sheet: 3/6



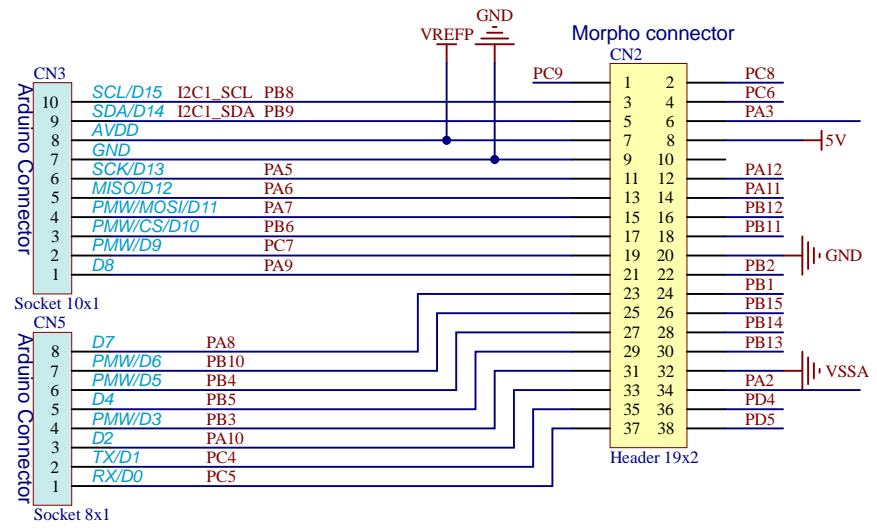
	Title: FOX0-CORE
	Name: DAPLink(HS)
	Revision: 0.1
	Date: 2021/11/1
Drawn by: ***	Size: A4
Checked by:***	Sheet: 4/6
Approved by:***	




WARNING voltage applied to VIN <12V



MCU



	Title: FOX0-CORE
	Name: Arduino
	Revision: 0.1
	Drawn by: ***
	Date: 2021/11/1
	Checked by: ***
Approved by: ***	Size: A4
	Sheet: 5/6

1

2

3

4

A

A

B

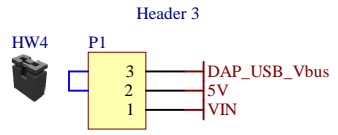
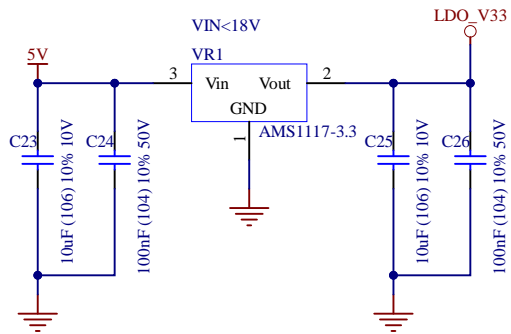
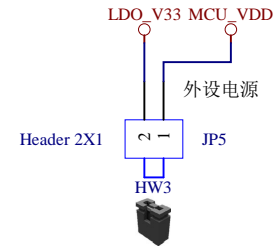
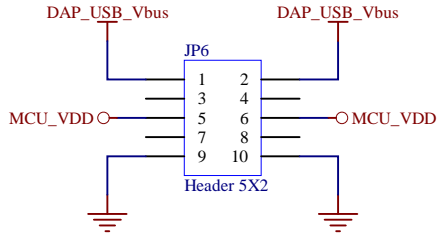
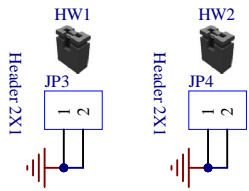
B


C

C

D

D



	Title: FOX0-CORE
	Name: PWR
Drawn by: ***	Revision: 0.1
Checked by: ***	Date: 2021/11/1
Approved by: ***	Size: A4
	Sheet: 6/6

1

2

3

4

